



**About**

- Made from responsible materials.
- LSF manufacture.
- No label: 100% customisable for your project.

Outside: 85 % organic cotton / 15 % post-consumer recycled polyester. Lining: 75 % organic cotton / 22 % post-consumer recycled polyester / 3 % other fibres. Capacity: 25L. Fleece material. Combed cotton. 3-ply LSF (Low Shrinkage Fleece: pre-shrunk fleece) fabric. Enzyme washed. Double zip fastening. Lined with inner zipped pocket and zip for decoration access in recycled nylon. Zip opening made of reinforced metal. Reinforced handles.

 350 g/m<sup>2</sup> 

**Sizes**



**More information**

**Logistic**



1



30



**Country of origin**

BD - Bangladesh

**Customs code**



42029298

**Colours**

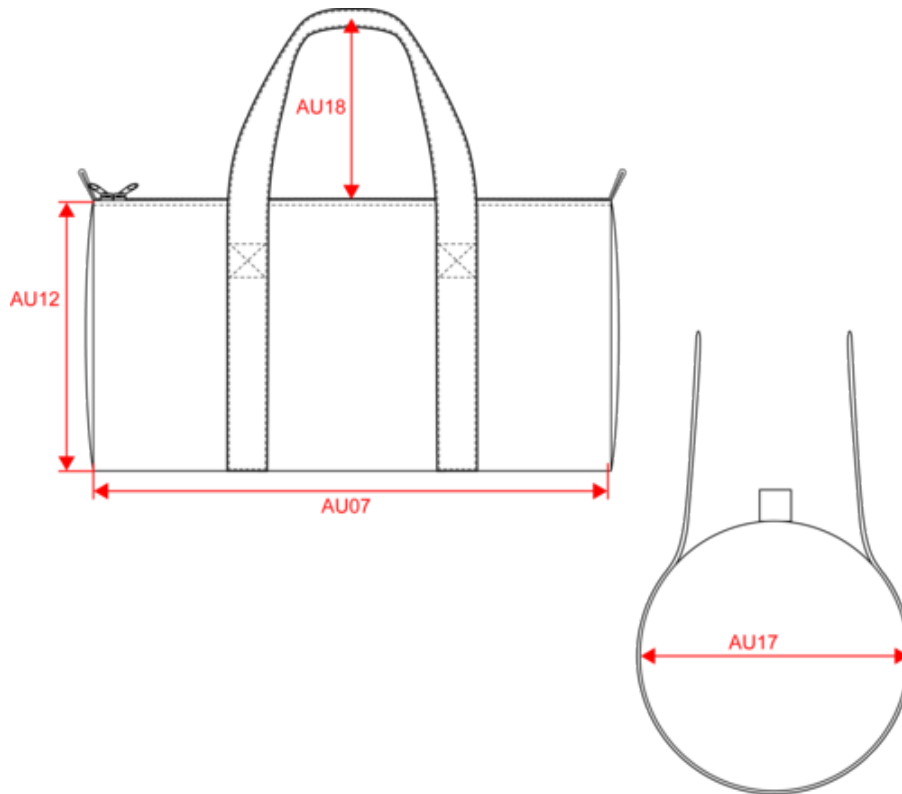


**Certifications**



**NS106**  
Fleece duffel bag

Dimensions (cm)



Measurements in cm	One Size
AU07 - Total width	50.00
AU12 - Total height	25.00
AU17 - Total depth	25.00

# NS106

## Fleece duffel bag

### Colours information



**Almond Green**  
 RVB : 145,146,127  
 Pantone C : 7536C  
 Pantone TCX : 16-0213TCX



**Black**  
 RVB : 35,35,37  
 Pantone C : Black  
 Pantone TCX : 19-4004TCX



**Hibiscus Red**  
 RVB : 134,27,47  
 Pantone C : 1815C  
 Pantone TCX : 19-1656TCX



**Iron Grey**  
 RVB : 78,80,82  
 Pantone C : 446C  
 Pantone TCX : 19-3901TCX



**Ivory**  
 RVB : 236,231,218  
 Pantone C : 7534C  
 Pantone TCX : 11-0701TCX



**Mineral Grey**  
 RVB : 94,104,116  
 Pantone C : 431C  
 Pantone TCX : 18-4215TCX



**Navy Blue**  
 RVB : 41,45,57  
 Pantone C : 433C  
 Pantone TCX : 19-4010TCX

### Logistic



1



30

Sizes	Width (cm)	Height (cm)	Length (cm)	Net weight (kg)	Gross weight (kg)	Pieces/Box	Pieces/Bundle
One Size	40.00000	40.00000	60.00000	14.10000	16.00000	30	1